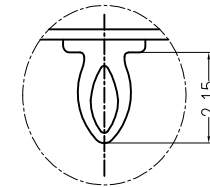
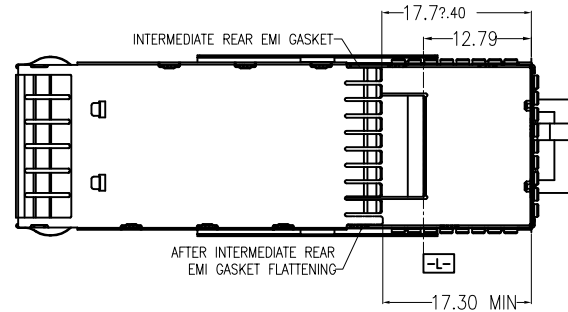
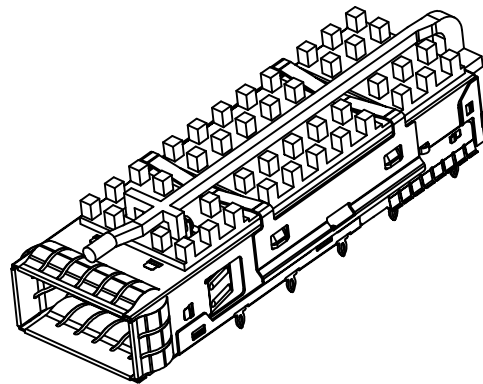
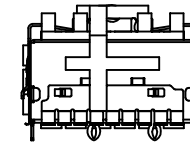
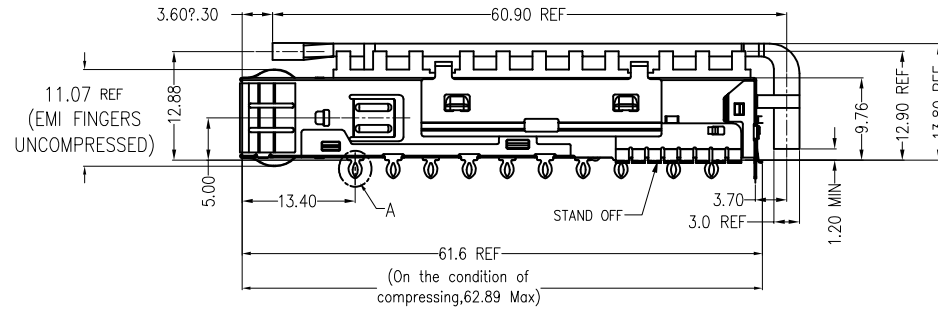
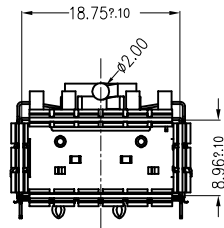
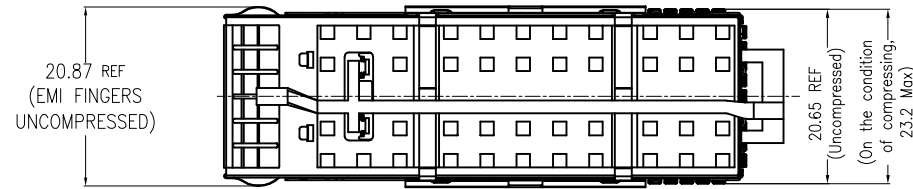


Customer drawings

NOTE:

1,	DESCRIPTION	Q'ty	MATERIAL	PLATING
01	QSFP CAGE	1PCS	STAINLESS STEEL	N/A
02	EMI FINGERS	4PCS	COPPER ALLOY	NI FOR ALL
03	EMI SPRINGS	3PCS	STAINLESS STEEL	N/A
04	HEATSINK CLIP	1PCS	STAINLESS STEEL	N/A
05	HEATSINK	1PCS	ALUMINUM	NI FOR ALL
06	LIGHTPIPE	1PCS	PC,CLEAR	N/A

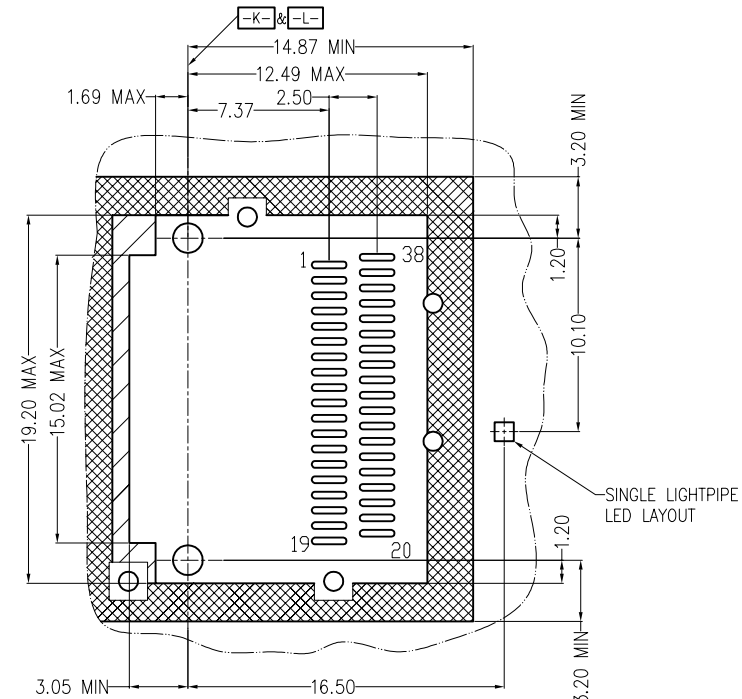
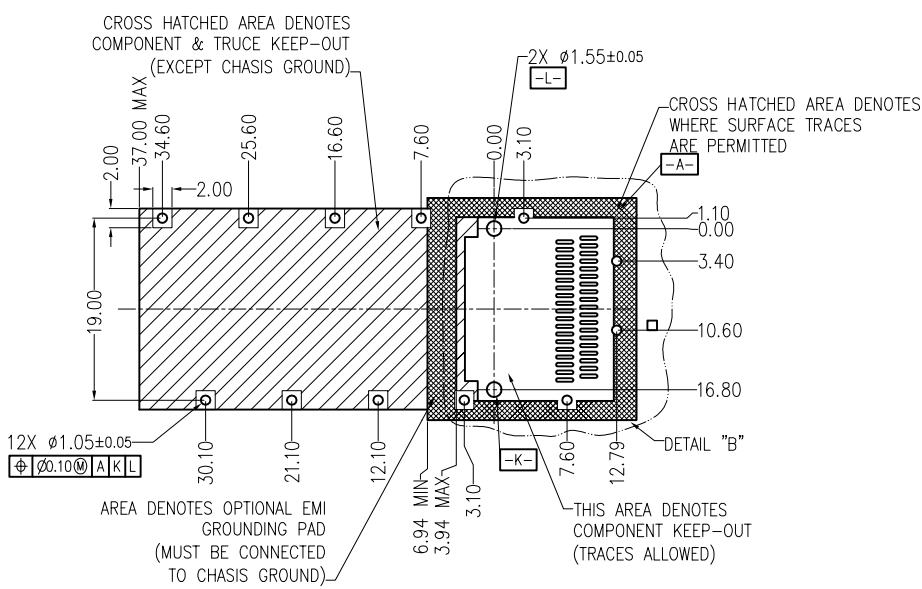
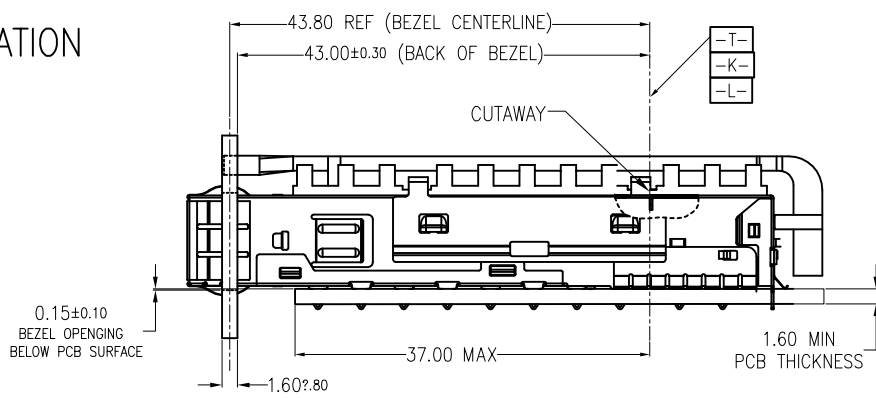
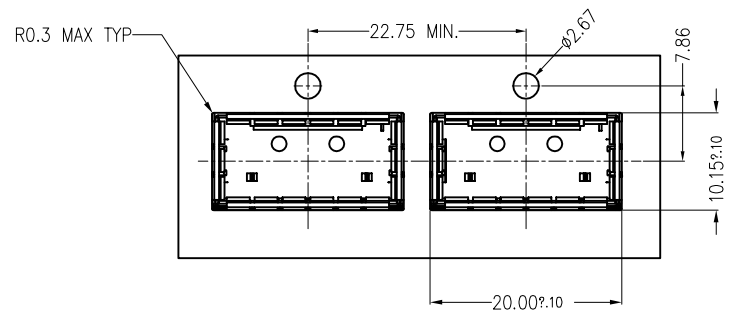
2, TEMPERATURE:  
 OPERATION: -40°C~+85°C  
 STORAGE: -20°C~+70°C



DETAIL: A  
SCALE 5:1

				自由公差		设计		深圳市益晟康科技有限公司 ETLINK SHENZHEN ETLINK TECHNOLOGY CO.,LTD	
				长度尺寸	角度尺寸	审核			
				X.	±0.25	X'	±0.5°	品名 高速接口28G 1x1 CAGE WITH LIGHTPIPE&HEATSINK NO LOGO	
				.X	±0.25	.X'	±0.5°		
				.XX	±0.20	.XX'	±0.5°	料号 81-161-00014-1	
				.XXX	±0.15				
				单位	mm	比例	1:1	图号 E8117031002-C 版本: X1	
版次	修改说明	ECN 编号	核准	A4	页次	1 of 3			

PCB LAYOUT FOR SINGLE SIDED APPLICATION



- NOTES:
- SEE QSFP MSA SPECIFICATION FOR BEZEL LOCATION TOLERANCE
  - DATUM -A- IS TIP SURFACE OF HOST BOARD PER MSA
  - FINISHED HOLE SIZE (AFTER PLATING)
  - DATUM -K- IS HOST BOARD THRU HOLE #1 TO ACCEPT CONNECTOR GUIDE POST PER MSA
  - DATUM -L- IS HOST BOARD THRU HOLE #2 TO ACCEPT CONNECTOR GUIDE POST PER MSA
  - DATUM -T- IS HARD STOP ON CAGE PER MSA

DETAIL: B  
SCALE: 2:1

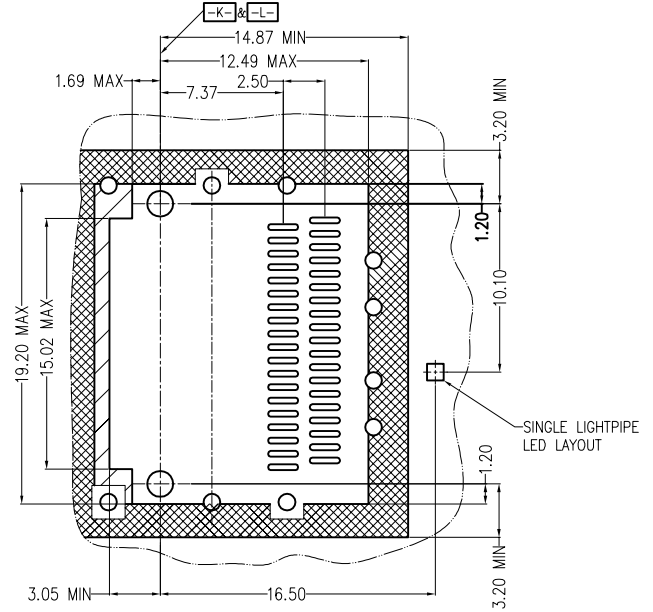
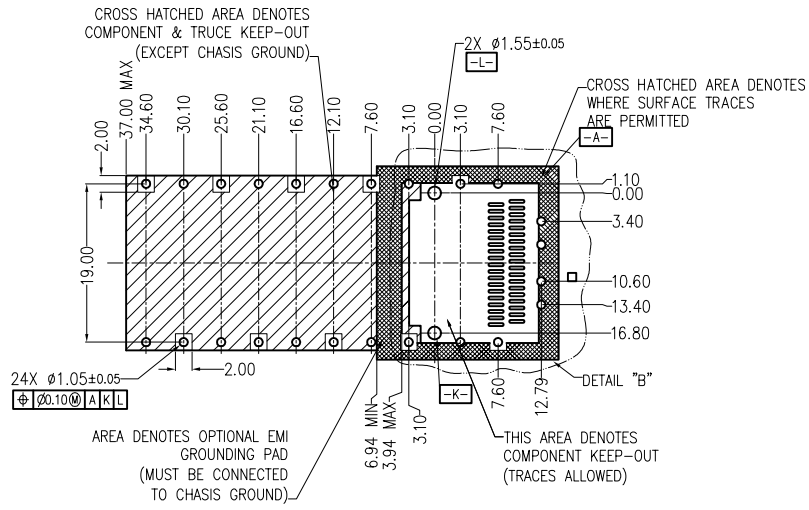
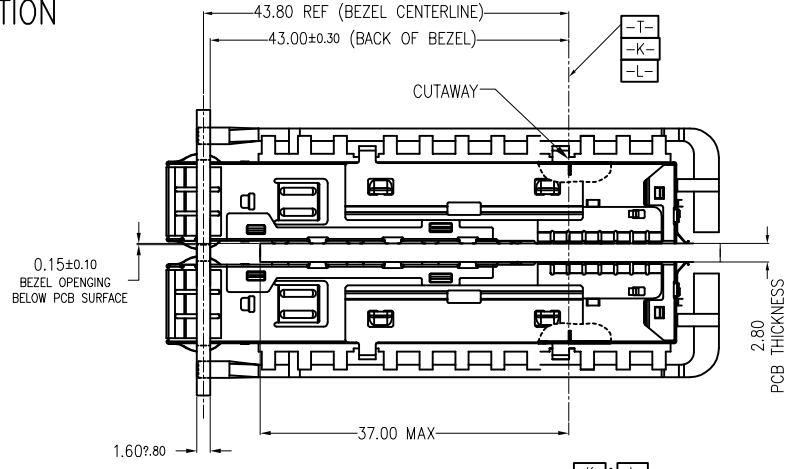
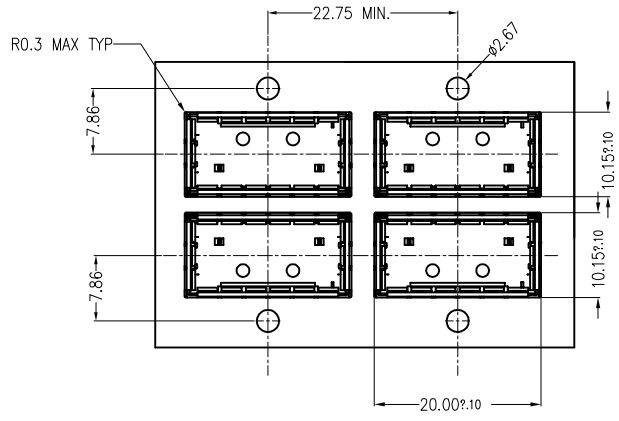
版次	修改说明	ECN 编号	核准

自由公差		设计
长度尺寸	角度尺寸	
X. ±0.25	X' ±0.5°	审核
.XX ±0.25	.X' ±0.5°	
.XXX ±0.20	.XX' ±0.5°	核准
.XXX ±0.15	.XX' ±0.5°	
单位 mm	比例 1:1	核准
A4	页次 2 of 3	

**深圳市益晟康科技有限公司**  
**ETLINK SHENZHEN ETLINK TECHNOLOGY CO.,LTD**

品名	高速接口28G 1x1 CAGE WITH LIGHTPIPE&HEATSINK NO LOGO
料号	81-161-00014-1
图号	E8117031002-C
图号	版本: X1

PCB LAYOUT FOR BELLY TO BELLY APPLICATION



NOTES:

1. SEE QSFP MSA SPECIFICATION FOR BEZEL LOCATION TOLERANCE
2. DATUM -A- IS TIP SURFACE OF HOST BOARD PER MSA
3. FINISHED HOLE SIZE (AFTER PLATING)
4. DATUM -K- IS HOST BOARD THREE HOLE #1 TO ACCEPT CONNECTOR GUIDE POST PER MSA
5. DATUM -L- IS HOST BOARD THREE HOLE #2 TO ACCEPT CONNECTOR GUIDE POST PER MSA
6. DATUM -T- IS HARD STOP ON CAGE PER MSA

版次	修改说明	ECN 编号	核准

自由公差		设计		审核
长度尺寸	角度尺寸			
.X ±0.25	.X' ±0.5°			核准
.XX ±0.25	.X' ±0.5°			
.XX ±0.20	.XX' ±0.5°			
.XXX ±0.15				
单位 mm	比例 1:1			
A4	页次 3of3			


**深圳市益晟康科技有限公司**  
**ETLINK SHENZHEN ETLINK TECHNOLOGY CO.,LTD**

品名	高速接口28G 1x1 CAGE WITH LIGHTPIPE&HEATSINK NO LOGO
料号	81-161-00014-1
图号	E8117031002-C
图号	版本: X1

A  
B  
C  
D

A  
B  
C  
D