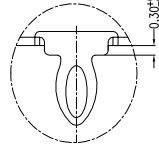
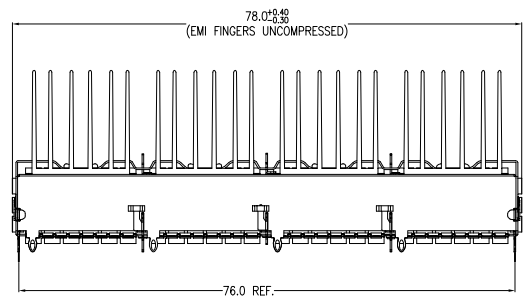
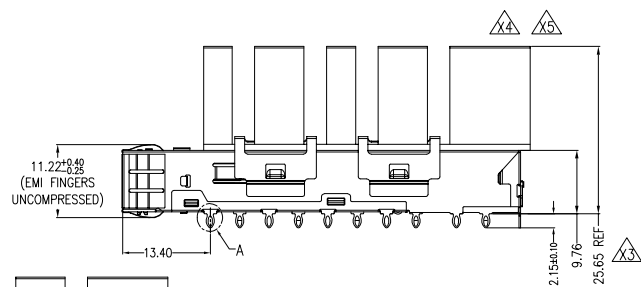
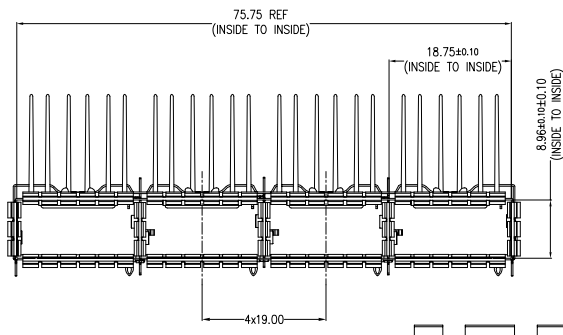
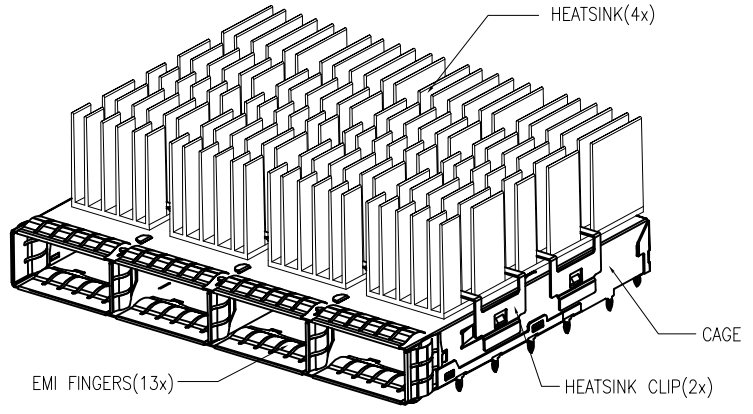
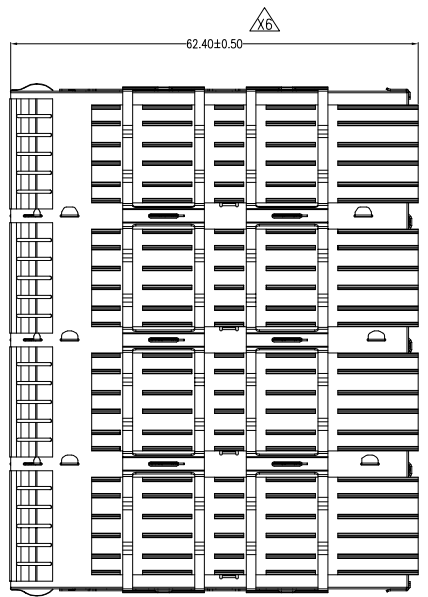
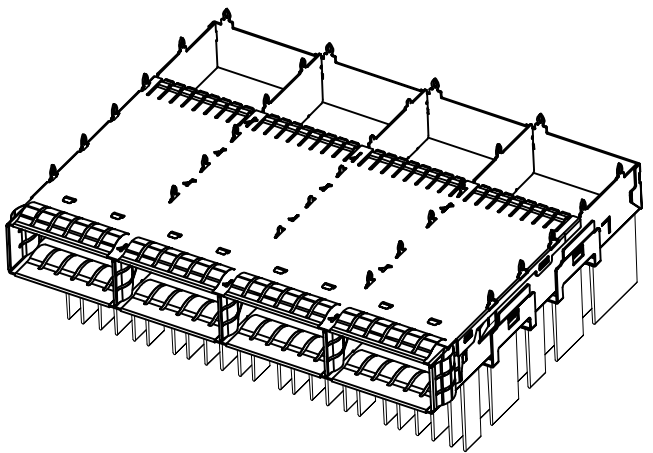


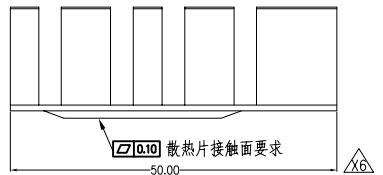
NOTE:

1, DESCRIPTION	Q'ty	MATERIAL	PLATING
01 CAGE	1PCS	STAINLESS STEEL	N/A
02 EMI FINGERS	13PCS	COPPER ALLOY	NI FOR ALL
03 HEATSINK	4PCS	ALUMINUM	N/A
04 HEATSINK CLIP	2PCS	STAINLESS STEEL	N/A

2, TEMPERATURE:
 OPERATION: -40°C~+85°C
 STORAGE: -10°C~+45°C



DETAIL: A
SCALE 5:1

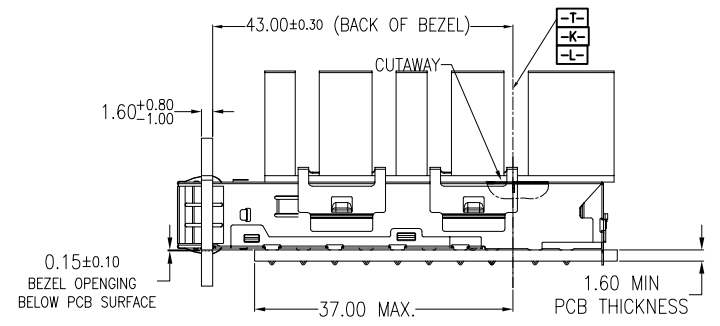
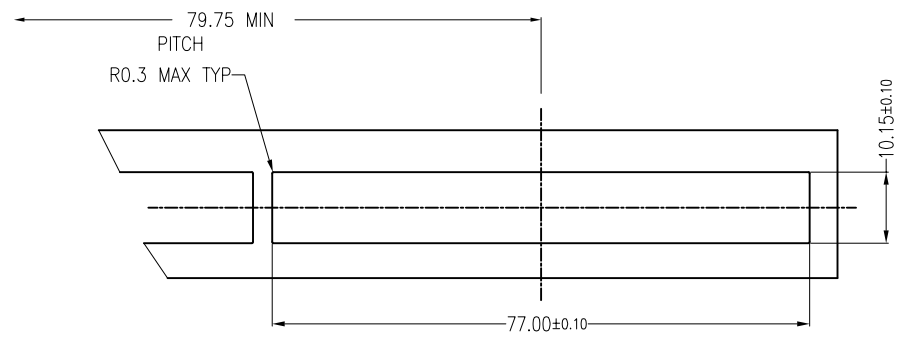


版次	修改说明	ECN 编号	核准
X6	Update Drawing		Shmily
X5	Update Drawing		Shmily
X4	Update Drawing		Shmily
X3	Update Drawing		Shmily
X2	Update Drawing		Shmily

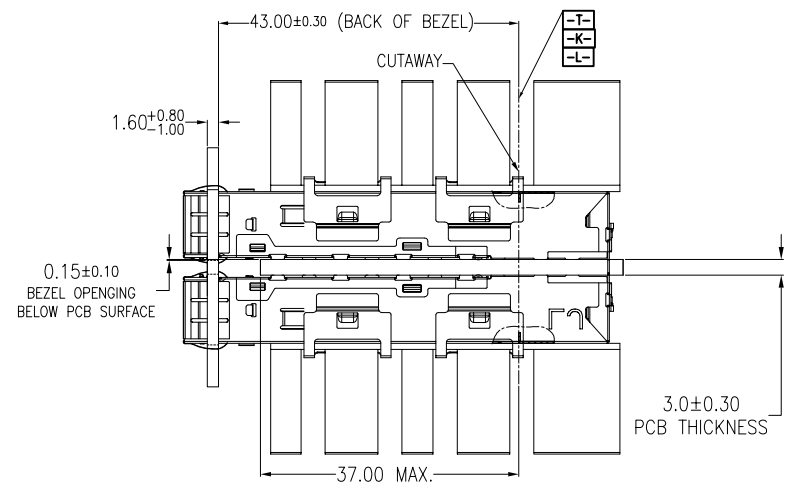
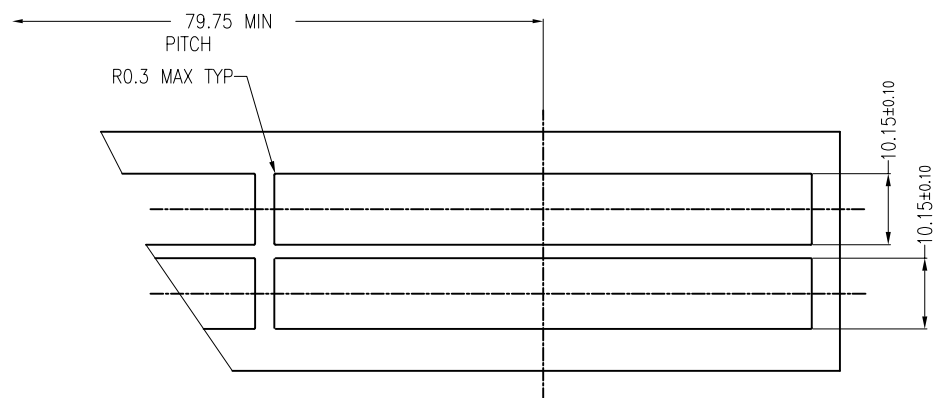
自由公差		设计	
长度尺寸	角度尺寸	设计	日期
X. ±0.25	X' ±0.5°	Parker	2018.02.02
.X ±0.25	.X' ±0.5°	Linson	2018.02.02
.XX ±0.20	.XX' ±0.5°		
.XXX ±0.15		核准	
单位 mm	比例 1:1	Shmily	2018.02.02
A4	页次 1 of 4		

设计		深圳市益晟康科技有限公司	
设计	日期	品名	料号
Parker	2018.02.02	高速接口28G 19.00mm 1x4 CAGE(带散热器)	81-164-00009-1
Linson	2018.02.02	料号	81-164-00009-1
Shmily	2018.02.02	图号	E8117111502-C
		版本:	X6

RECOMMENDED BEZEL CUT-OUT SINGLE SIDE APPLICATIONS

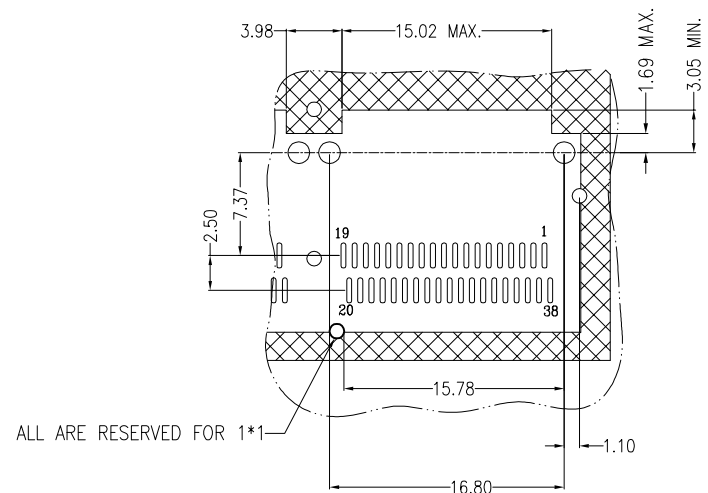
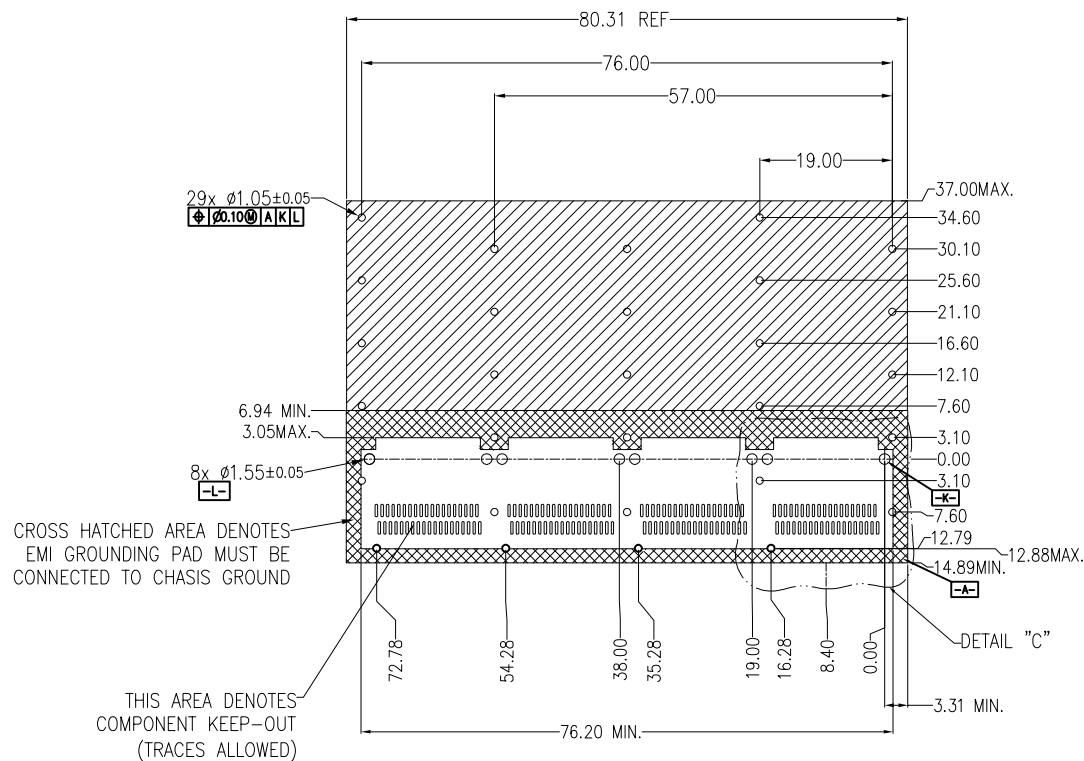


RECOMMENDED BEZEL CUT-OUT BELLY TO BELLY APPLICATIONS



X6	Update Drawing		Shmily
X5	Update Drawing		Shmily
X4	Update Drawing		Shmily
X3	Update Drawing		Shmily
X2	Update Drawing		Shmily
版次	修改说明	ECN 编号	核准

自由公差		设计		2018.02.02		深圳市益晟康科技有限公司	
长度尺寸	角度尺寸	Parker		ETLINK SHENZHEN ETLINK TECHNOLOGY CO.,LTD			
X. ±0.25	X' ±0.5°	审核	Linson	2018.02.02	品名	高速接口28G 19.00mm 1x4 CAGE(带散热器)	
.X ±0.25	.X' ±0.5°	核准	Shmily	2018.02.02	料号	81-164-00009-1	
.XX ±0.20	.XX' ±0.5°				图号	E8117111502-C	
.XXX ±0.15					版本	X6	
单位 mm	比例 1:1	A4		页次 2 of 4			



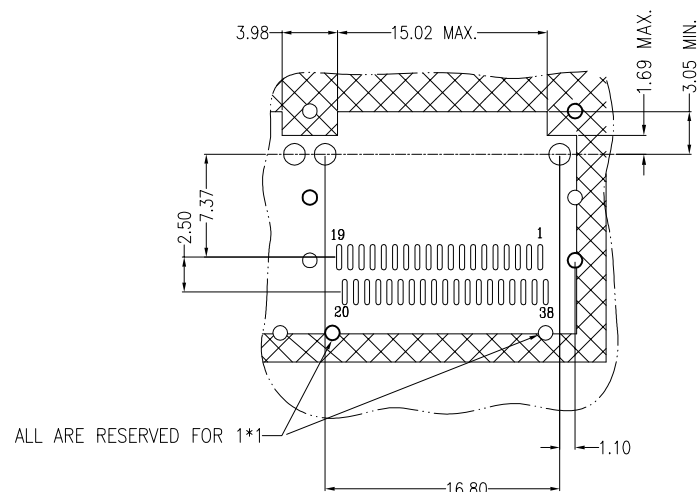
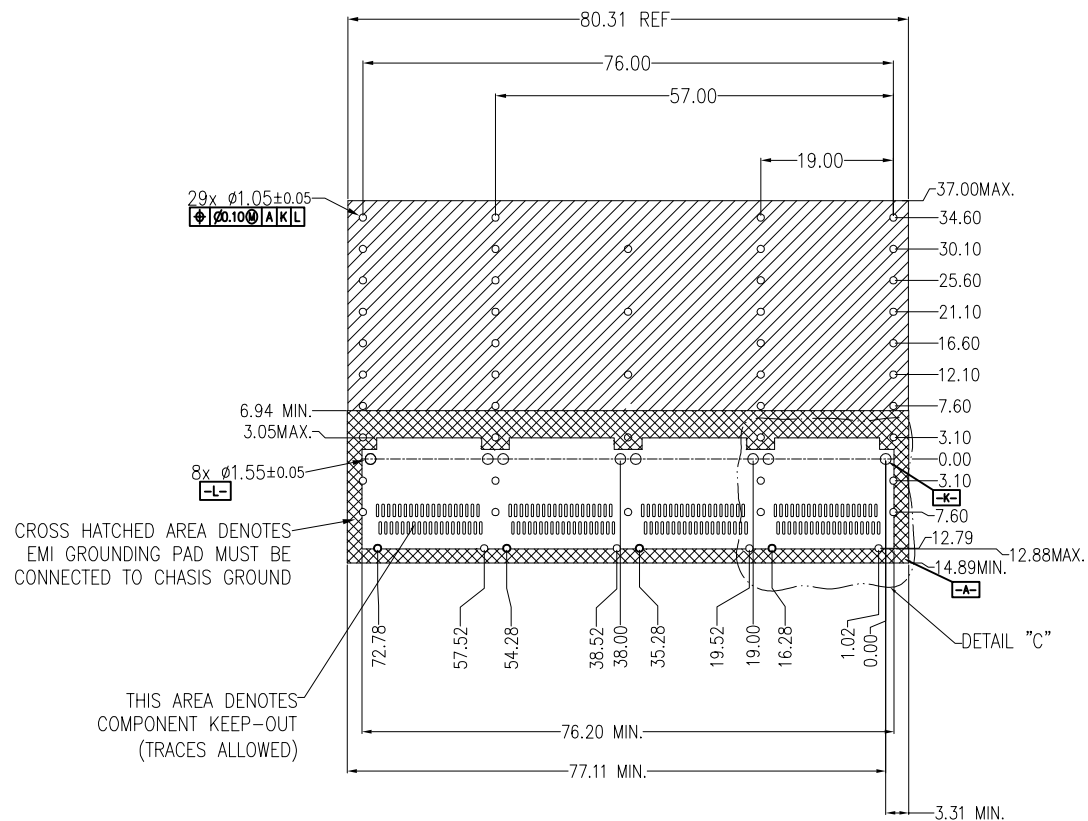
DETAIL: C
SCALE: 2:1

PCB LAYOUT FOR SINGLE SIDED APPLICATION

- NOTES:
1. SEE QSFP MSA SPECIFICATION FOR BEZEL LOCATION TOLERANCE
 2. DATUM -A- IS TIP SURFACE OF HOST BOARD PER MSA
 3. FINISHED HOLE SIZE (AFTER PLATING)
 4. DATUM -K- IS HOST BOARD THREE HOLE #1 TO ACCEPT CONNECTOR GUIDE POST PER MSA
 5. DATUM -L- IS HOST BOARD THREE HOLE #2 TO ACCEPT CONNECTOR GUIDE POST PER MSA
 6. DATUM -T- IS HARD STOP ON CAGE PER MSA

X6	Update Drawing		Shmily
X5	Update Drawing		Shmily
X4	Update Drawing		Shmily
X3	Update Drawing		Shmily
X2	Update Drawing		Shmily
版次	修改说明	ECN 编号	核准

自由公差		设计	2018.02.02	深圳市益晟康科技有限公司 ETLINK SHENZHEN ETLINK TECHNOLOGY CO.,LTD	
长度尺寸	角度尺寸				
X. ±0.25	X' ±0.5°	Parker		品名	高速接口28G 19.00mm 1x4 CAGE(带散热器)
.X ±0.25	.X' ±0.5°	审核 Linson	2018.02.02	料号	81-164-00009-1
.XX ±0.20	.XX' ±0.5°			图号	E8117111502-C
.XXX ±0.15		核准 Shmily	2018.02.02		
单位 mm	比例 1:1				
A4	页次 3 of 4				



DETAIL: C
SCALE: 2:1

PCB LAYOUT FOR BELLY TO BELLY APPLICATION

- NOTES:
1. SEE QSFP MSA SPECIFICATION FOR BEZEL LOCATION TOLERANCE
 2. DATUM -A- IS TIP SURFACE OF HOST BOARD PER MSA
 3. FINISHED HOLE SIZE (AFTER PLATING)
 4. DATUM -K- IS HOST BOARD THREE HOLE #1 TO ACCEPT CONNECTOR GUIDE POST PER MSA
 5. DATUM -L- IS HOST BOARD THREE HOLE #2 TO ACCEPT CONNECTOR GUIDE POST PER MSA
 6. DATUM -T- IS HARD STOP ON CAGE PER MSA

版次	修改说明	ECN 编号	核准
X6	Update Drawing		Shmily
X5	Update Drawing		Shmily
X4	Update Drawing		Shmily
X3	Update Drawing		Shmily
X2	Update Drawing		Shmily

自由公差		设计	2018.02.02	深圳市益晟康科技有限公司 ETLINK SHENZHEN ETLINK TECHNOLOGY CO.,LTD	
长度尺寸	角度尺寸				
X. ±0.25	X' ±0.5°	Parker		品名	高速接口28G 19.00mm 1x4 CAGE(带散热器)
.X ±0.25	.X' ±0.5°	审核 Linson	2018.02.02	料号	81-164-00009-1
.XX ±0.20	.XX' ±0.5°			图号	E8117111502-C
.XXX ±0.15		核准 Shmily	2018.02.02		
单位 mm	比例 1:1				
A4		页次 4 of 4			