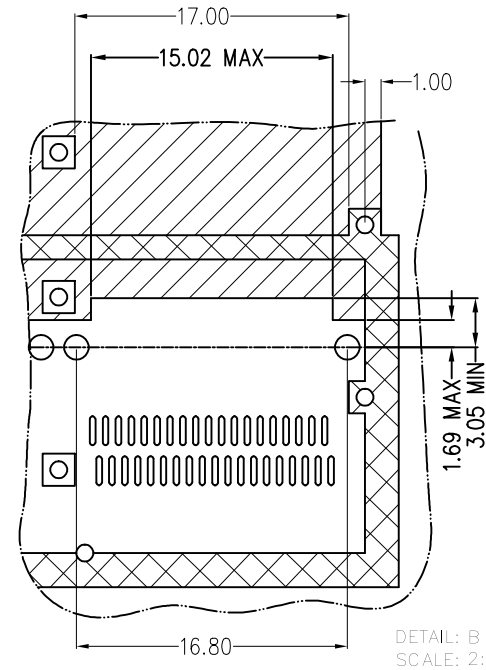
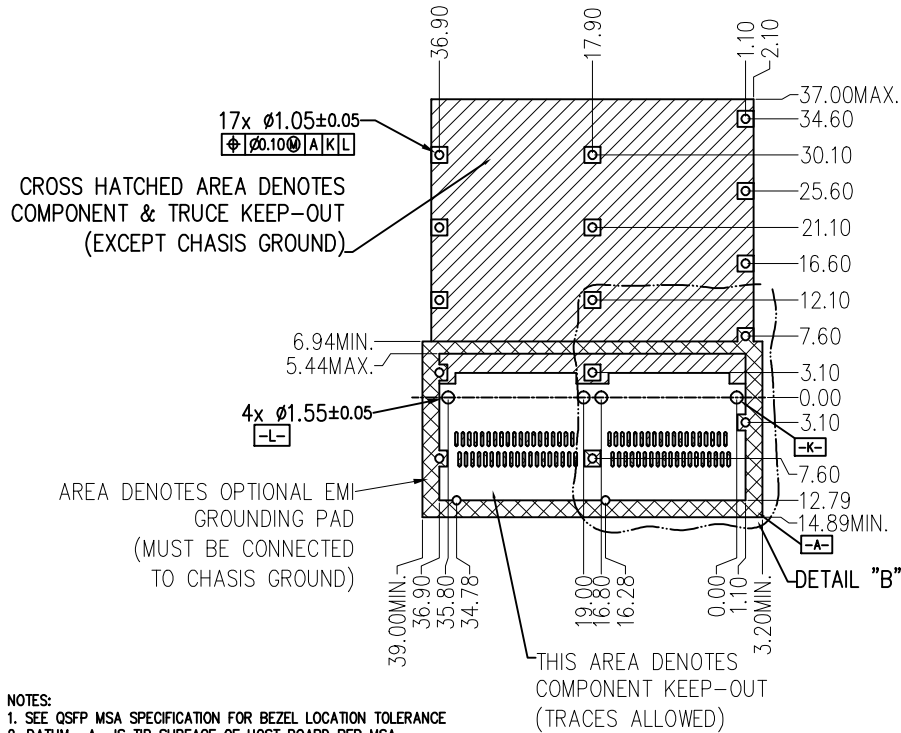
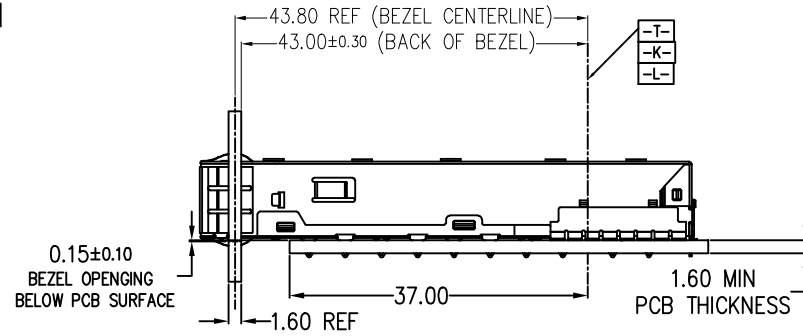
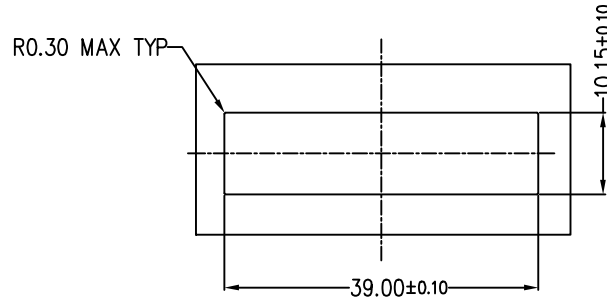




Customer drawings

### PCB LAYOUT FOR SINGLE SIDED APPLICATION



**NOTES:**

1. SEE QSFP MSA SPECIFICATION FOR BEZEL LOCATION TOLERANCE
2. DATUM -A- IS TIP SURFACE OF HOST BOARD PER MSA
3. FINISHED HOLE SIZE (AFTER PLATING)
4. DATUM -K- IS HOST BOARD THRU HOLE #1 TO ACCEPT CONNECTOR GUIDE POST PER MSA
5. DATUM -L- IS HOST BOARD THRU HOLE #2 TO ACCEPT CONNECTOR GUIDE POST PER MSA
6. DATUM -T- IS HARD STOP ON CAGE PER MSA

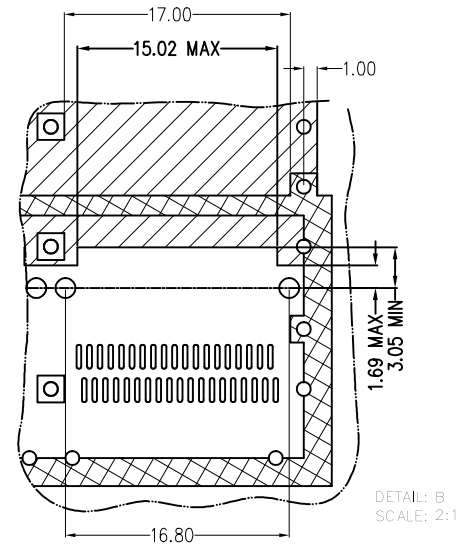
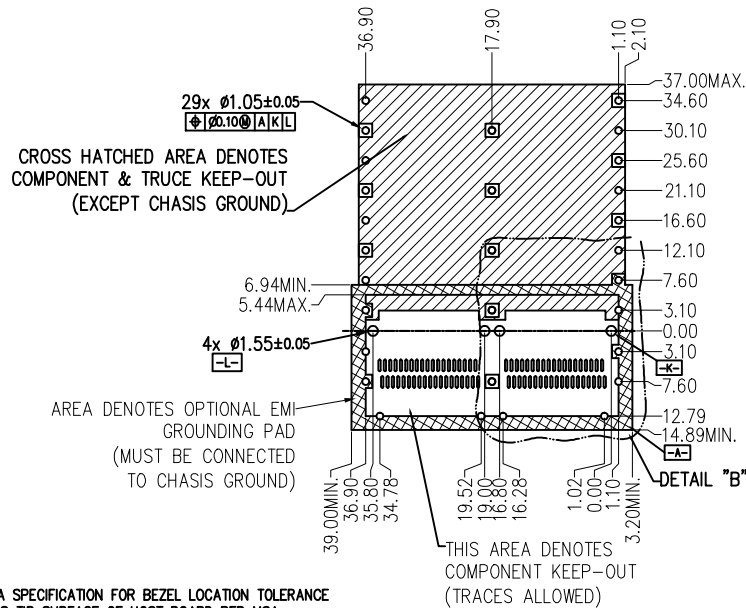
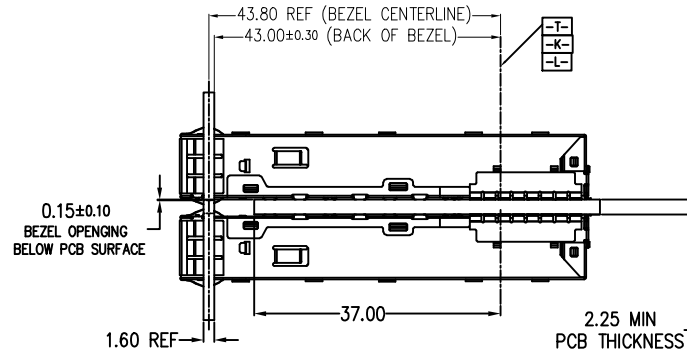
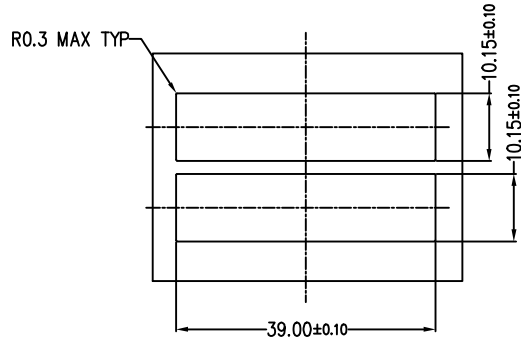
| 自由公差<br>长度尺寸 角度尺寸 |              | 设计<br>Linson |       | 2017.04.02   |            |
|-------------------|--------------|--------------|-------|--------------|------------|
| X.                | ±0.25        | X'           | ±0.5' | 审核<br>Packer | 2017.04.02 |
| .X                | ±0.25        | .X'          | ±0.5' |              |            |
| .XX               | ±0.20        | .XX'         | ±0.5' |              |            |
| .XXX              | ±0.15        |              |       | 核准<br>Shmily | 2017.04.02 |
| 单位                | mm           | 比例           | 1:1   |              |            |
| 版次                | NEW RELEASED | ECN          | 修改说明  | 页次           | 2 of 3     |

|   |                               |
|---|-------------------------------|
| 深圳市益晟康科技有限公司<br>ETLINK SHENZHEN ETLINK TECHNOLOGY CO.,LTD |                               |
| 品名  | ZQSFP+ 1*2 CAGE WITH EMI FINI |
| 料号  | 81-162-00003-1                |
| 图号  | E8117040201-C                 |
| 版本  | 1                             |

|    |              |        |
|----|--------------|--------|
| X1 | NEW RELEASED | Shmily |
| 版次 | 修改说明         | ECN 编号 |

Customer drawings

PCB LAYOUT FOR SINGLE SIDED APPLICATION



DETAIL: B  
SCALE: 2:1

NOTES:

1. SEE QSFP MSA SPECIFICATION FOR BEZEL LOCATION TOLERANCE
2. DATUM -A- IS TIP SURFACE OF HOST BOARD PER MSA
3. FINISHED HOLE SIZE (AFTER PLATING)
4. DATUM -K- IS HOST BOARD THREE HOLE #1 TO ACCEPT CONNECTOR GUIDE POST PER MSA
5. DATUM -L- IS HOST BOARD THREE HOLE #2 TO ACCEPT CONNECTOR GUIDE POST PER MSA
6. DATUM -T- IS HARD STOP ON CAGE PER MSA

|   |                                     |              |            |   |
|---|-------------------------------------|--------------|------------|---|
| 自由公差<br>长度尺寸 角度尺寸                               |                                     | 设计<br>Linson | 2017.04.02 | 深圳市益晟康科技有限公司<br>ETLINK SHENZHEN ETLINK TECHNOLOGY CO.,LTD |
| X. ±0.25<br>.X ±0.25<br>.XX ±0.20<br>.XXX ±0.15 | X' ±0.5'<br>.X' ±0.5'<br>.XX' ±0.5' | 审核<br>Packer | 2017.04.02 |   |
| 单位 mm   | 比例 1:1                              | 核准<br>Shmily | 2017.04.02 | 品名<br>ZQSFP+ 1*2 CAGE WITH EMI FINGERS                    |
| X1  | NEW RELEASED                        | Shmily       |            | 料号<br>81-162-00003-1                                      |
| 版次  | 修改说明                                | ECN          | 编核准        | 图号<br>E8117040201-C                                       |
|   |                                     |              |            | 版本<br>X1  |

|  |  |  |  |
|--|--|--|--|
|  |  |  |  |
|  |  |  |  |
|  |  |  |  |
|  |  |  |  |
|  |  |  |  |