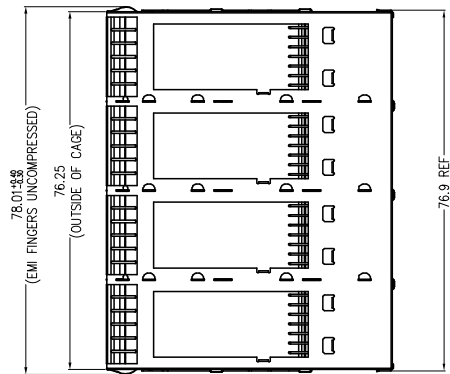
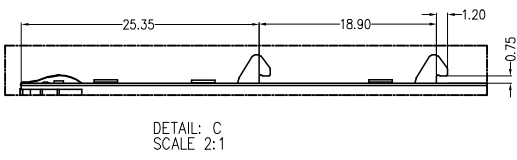
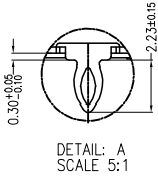
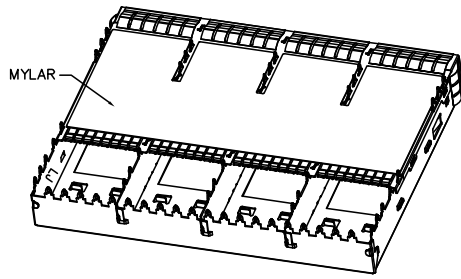
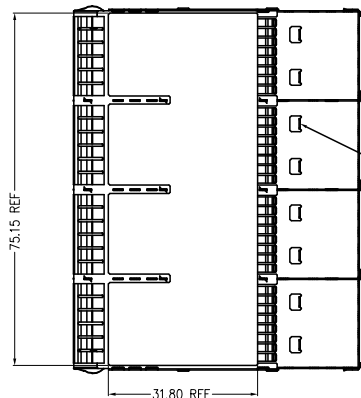
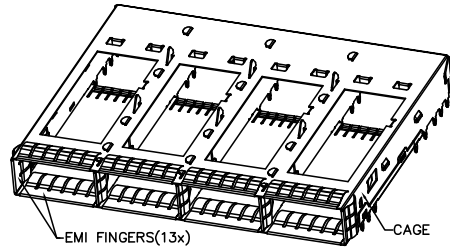
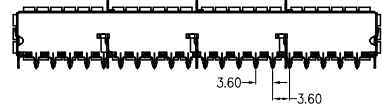
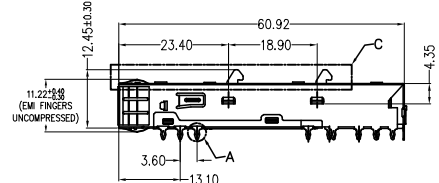
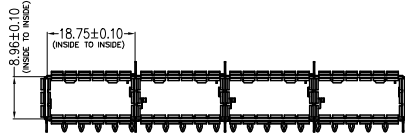


Customer drawings



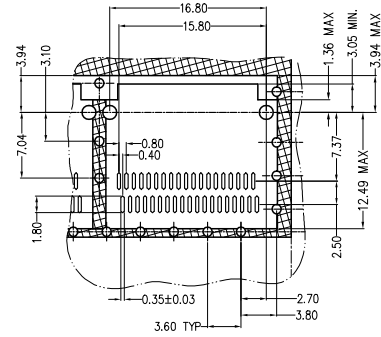
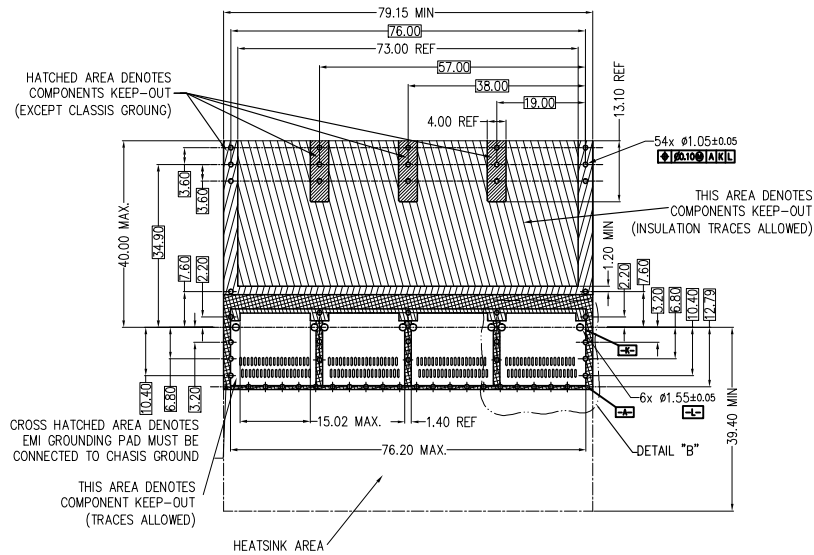
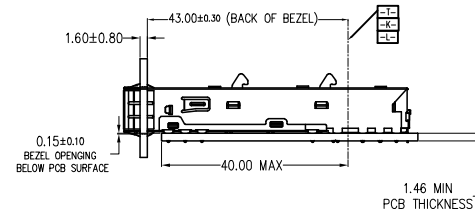
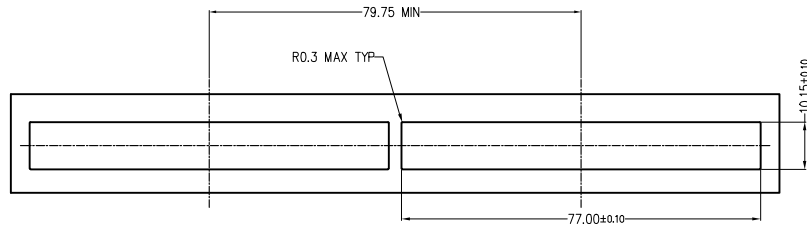
NOTE:
 1, DESCRIPTION Q'ty MATERIAL PLATING
 01 QSFP CAGE 1PCS STAINLESS STEEL T=0.25 N/A
 02 EMI FINGERS 13PCS COPPER ALLOY T=0.06 NI FOR ALL
 03 MYLAR 1PCS PI T=0.20 N/A
 2, TEMPERATURE:
 OPERATION: -40°C~+85°C
 STORAGE: -20°C~+70°C



					自由公差 长度尺寸角度尺寸	设计 Parker	2017.08.30	深圳市益晟康科技有限公司 SHENZHEN ETLINK TECHNOLOGY CO.,LTD	
					X. ±0.25 .X ±0.25 .XX ±0.20 .XXX ±0.15	X' ±0.5' .X' ±0.5' .XX' ±0.5'	审核 Camby	2017.08.30	品名 高速接口28G 19.00mm 1*4
X1	NEW DRAWING		Shmily	单位mm	比例 1:1	核准 Shmily	2017.08.30	料号 81-164-00003-1	图号 E8117083002-C
版次	修改说明	ECN	编核准	A4	页次 of 2				版本 X1

Customer drawings

RECOMMENDED BEZEL CUT-OUT SINGLE SIDED APPLICATIONS



DETAIL: B
SCALE: 2:1

NOTES:

1. SEE QSFP MSA SPECIFICATION FOR BEZEL LOCATION TOLERANCE
2. DATUM -A- IS TIP SURFACE OF HOST BOARD PER MSA
3. FINISHED HOLE SIZE (AFTER PLATING)
4. DATUM -K- IS HOST BOARD THRE HOLE #1 TO ACCEPT CONNECTOR GUIDE POST PER MSA
5. DATUM -L- IS HOST BOARD THRE HOLE #2 TO ACCEPT CONNECTOR GUIDE POST PER MSA
6. DATUM -T- IS HARD STOP ON CAGE PER MSA

X1	NEW DRAWING		Shmily	
版次	修改说明	ECN	编核准	

自由公差 长度尺寸 角度尺寸		设计 Parker	2017.08.30
X. ±0.25	X' ±0.5'	审核 Camby	2017.08.30
.X ±0.25	.X' ±0.5'	核准 Shmily	2017.08.30
.XX ±0.20	.XX' ±0.5'		
.XXX ±0.15			
单位 mm	比例 1:1		
	页次 of 2		

深圳市益晟康科技有限公司 SHENZHEN ETLINK TECHNOLOGY CO.,LTD	
品名	高速接口28G 19.00mm 1*4
料号	CAGE # 81-164-00003-1
图号	E8117083002-C
版本	1